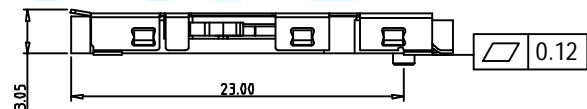
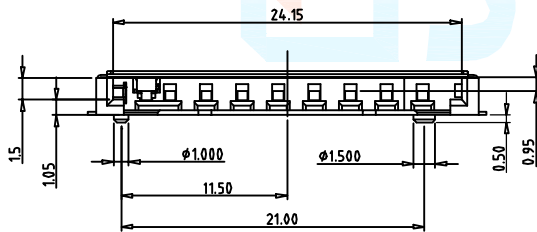
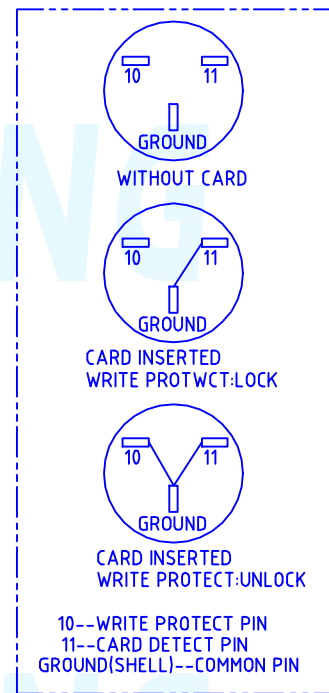
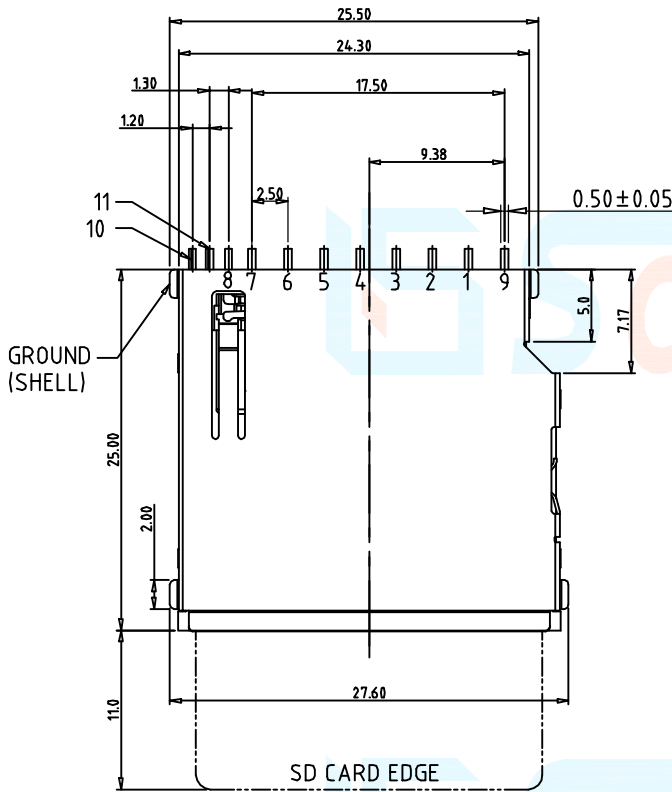
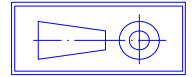


Operation: Push-Pull & 抽拉式儲存卡座



LTEM NO.:SD-002
(MEMORY-CARD-SOCKETS)

Unit:mm



Technical parameter

PROJECT		LEVEL	A[better product]	B[average product]	C[low product]
Electrical Properties	Initial Contact Resistance		30mΩ max.	30mΩ max.	no data!
	Contact Resistance		100MΩ min.100V DC Skey/PD: 50MΩ min.100V DC		
	Withstand Voltage		300V AC for 1min	250 V AC for 1min	
Durable Performance	There No Load		8,000 Cycles	7,000 Cycles	no data!
	Rated Load		6,500 Cycles 50mΩ max.	5,000 Cycles 30mΩ max.	no data!
Insertion Force			4.0KgF MAX (Springback:)		

表面貼裝 SMT

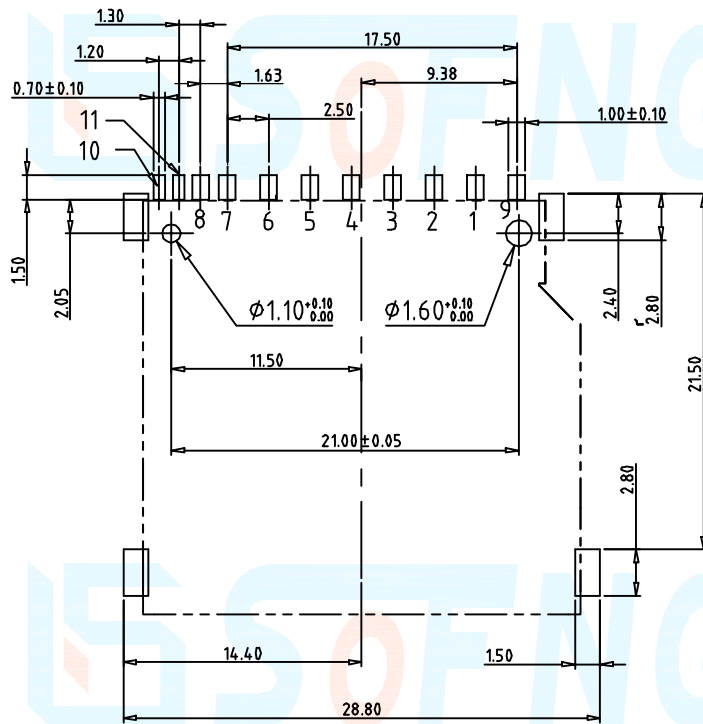
側向導入 LATERAL

精密部品 NICETY

可靠 STABILIZE

適合環保 RoHS

CIRCUIT BOARD SIZE
(Vertical view)



	DECIMALS	ANGLES
.X	:±0.20	X.° :±1.5°
.XX	:±0.10	X.X° :±1.0°
.XXX	:±0.05	.XXX° :±0.5°

PIN Assignment

SD CARD Pin DESIGN			
Pin No.	Pin NAME	Type	Description
P①	CD/DAT3	I/O/PP	Card Detect/Date Line[Bit 3]
P②	CMD	PP	Command/Response
P③	Vss1	S	Supply voltage ground
P④	VDD	S	Supply voltage
P⑤	CLK	I	Clock
P⑥	Vss2	S	Supply voltage ground
P⑦	DAT 0	I/O/PP	Date Line [Bit 0]
P⑧	DAT 1	I/O/PP	Date Line [Bit 1]
P⑨	DAT 2	I/O/PP	Date Line [Bit 2]

本品不屬於危害性廢棄物,須丟棄時可以委託回收商予以回收再生處理。Products do not belong to hazardous waste,When waste can recycling processing

運送時本產品不要直接與水、酸鹼性化學物質接觸,或放置於含有以上氣體環境中,並且需要注意會有滑落、側翻的危險發生;運輸過程中不能有碰撞或者擠壓,須保證溫度與濕度適中[常溫 25°C,濕度在 50°C 以內],不可導致材料變形或氧化。

NAME	MATERIAL	PLATING
A 接觸端子	H62 (t=0.15mm)黃銅【錫 30u" 鍍金 1u"】	-
B 基座	LCP 30%G/F (Black)耐熱塑膠	G/F
C 外壳	磷銅 C5191 (鍍金 1u" /焊區霧錫)	G/F

单击下面可查看定价，库存，交付和生命周期等信息

[>>SOFNG\(硕方\)](#)